

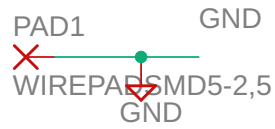
Polyphonic Analog-to-MIDI Converter For Musical Application

Senior Design
Summer 2020 - Fall 2020

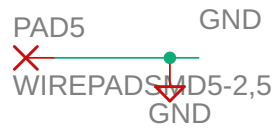
Table of Contents:

Sheet 1 - Cover Sheet
Sheet 2 - Connectors
Sheet 3 - Power
Sheet 4 - Input Amplifier
Sheet 5 - Processor

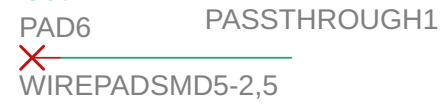
XLR3 In

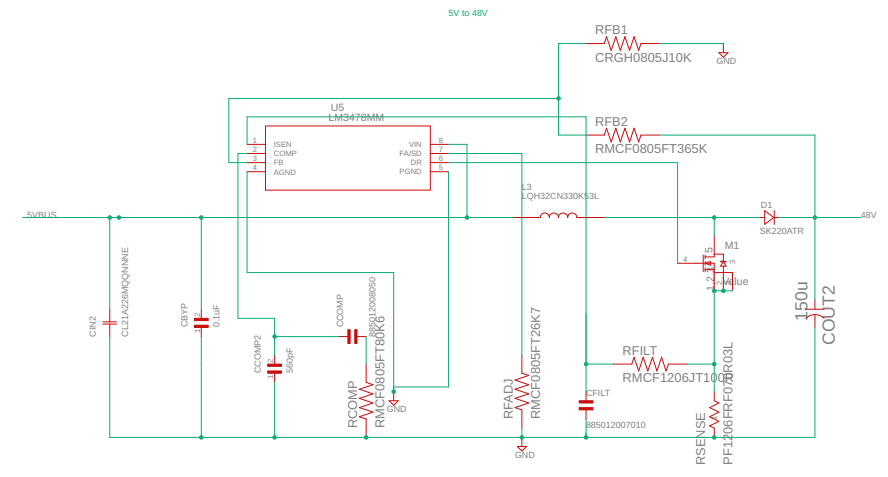
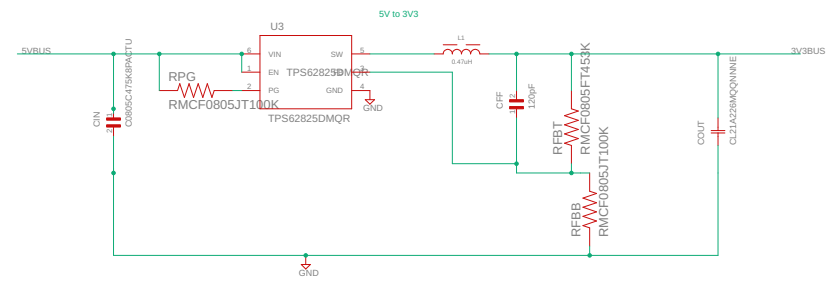
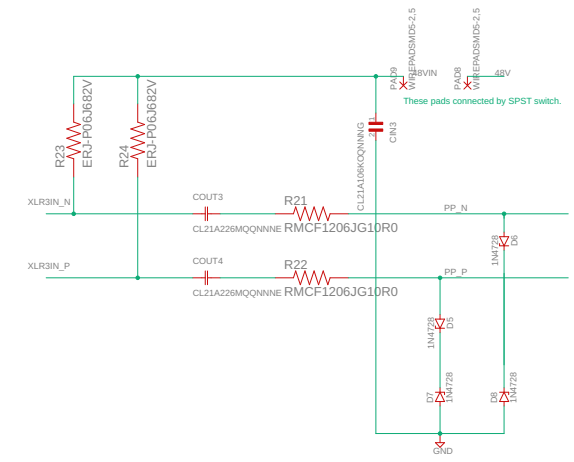
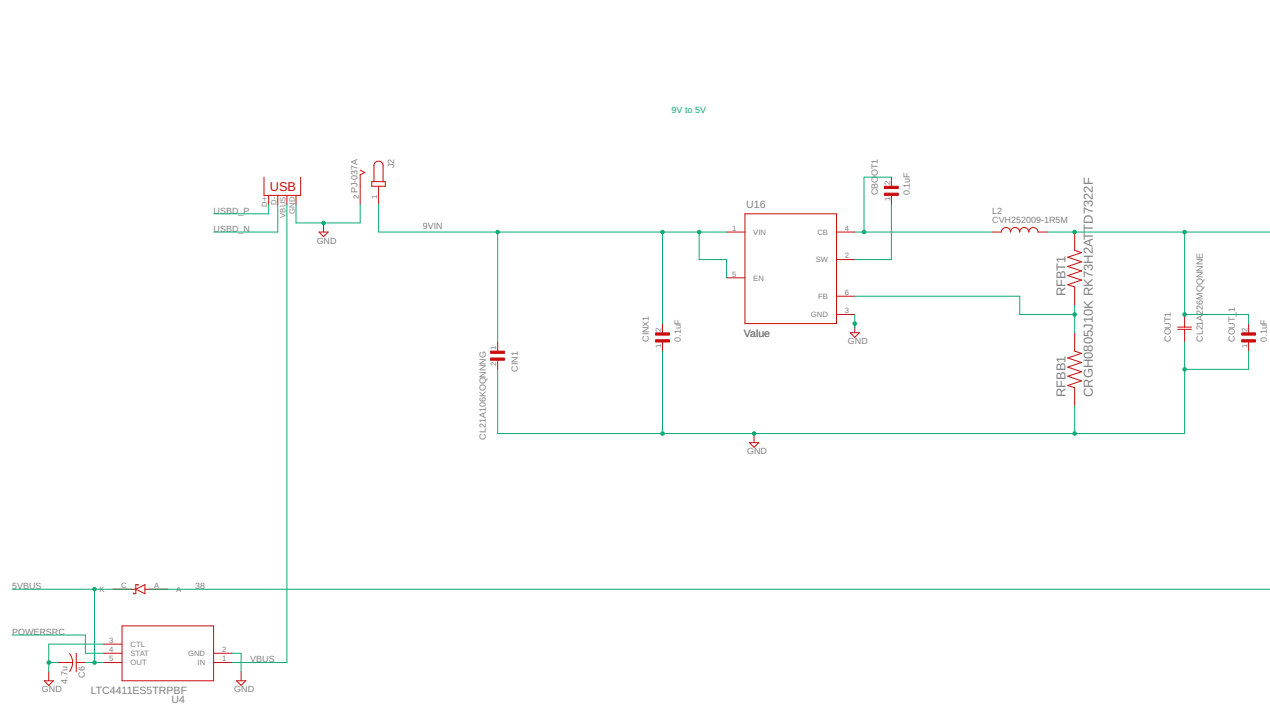


1/4 In

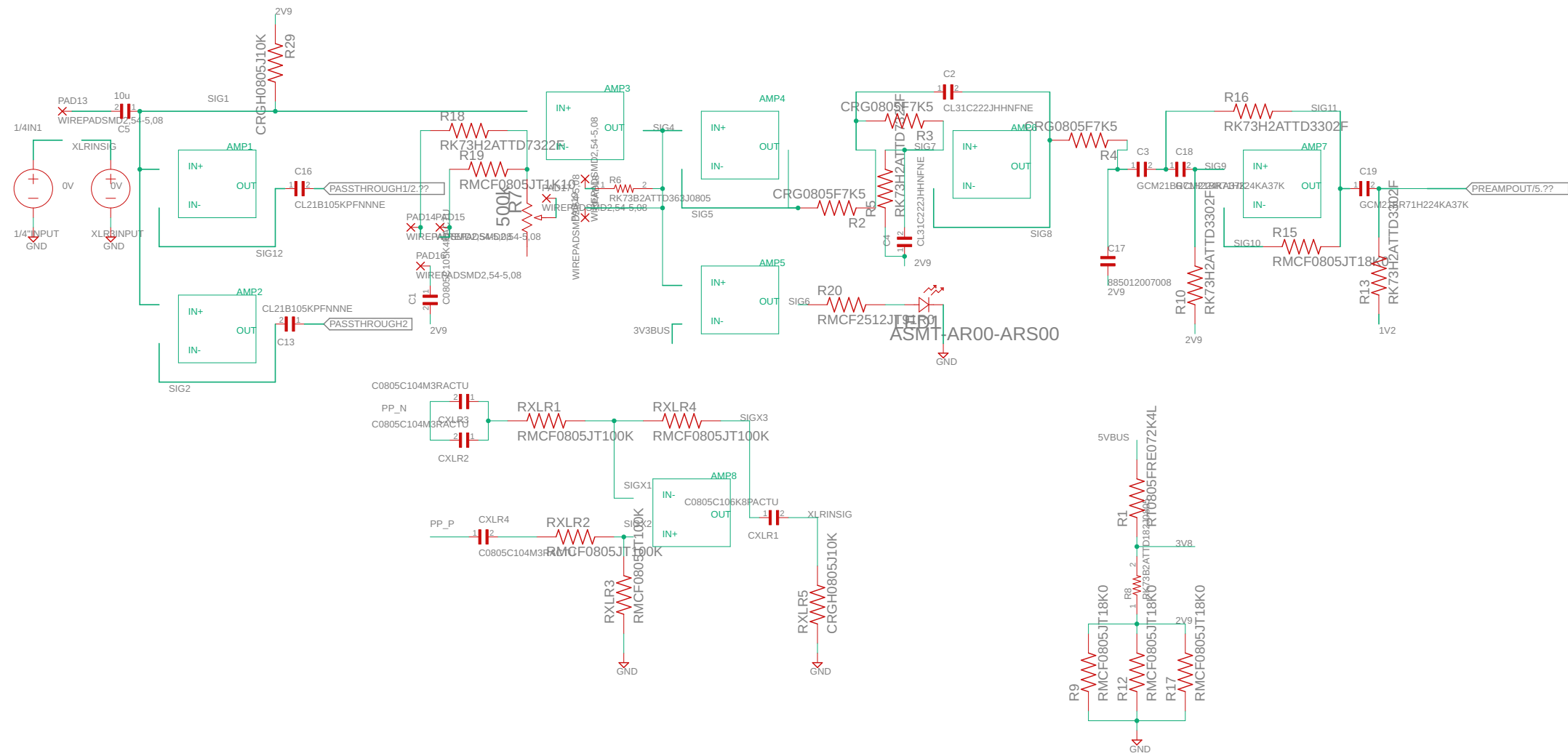
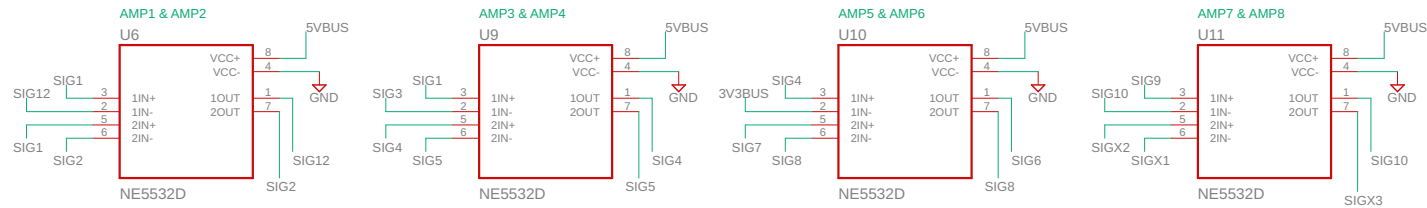


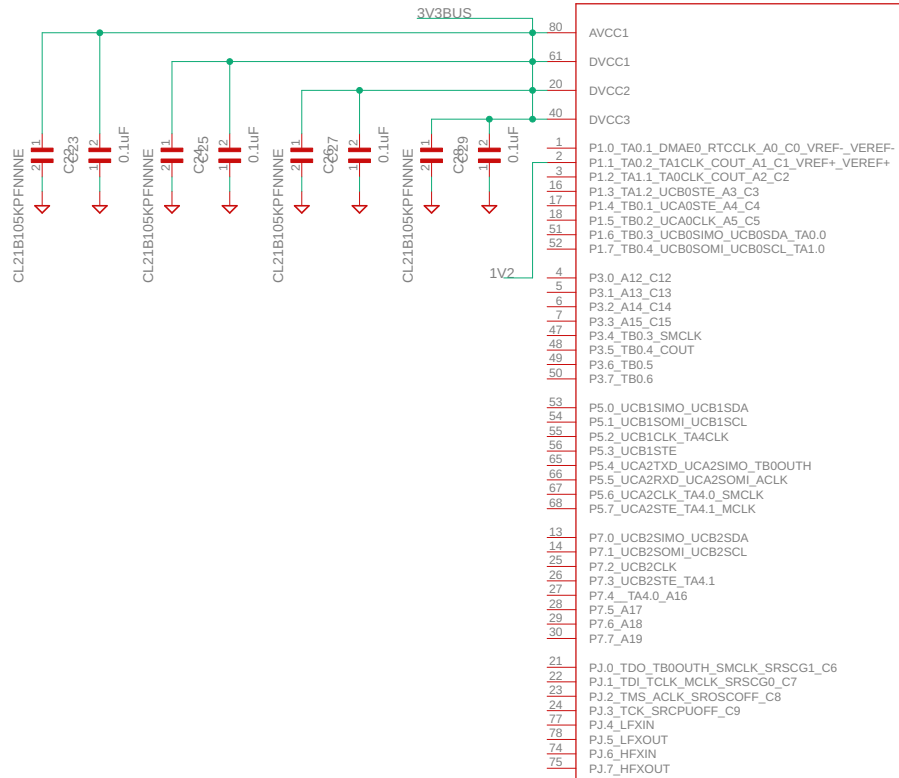
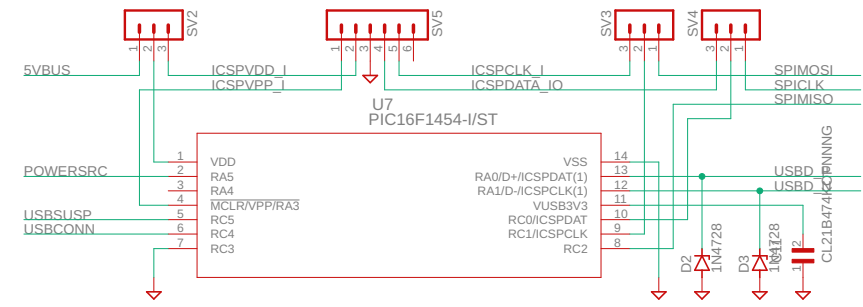
1/4 Out





SWITCH FOR BOM





U8
Value

