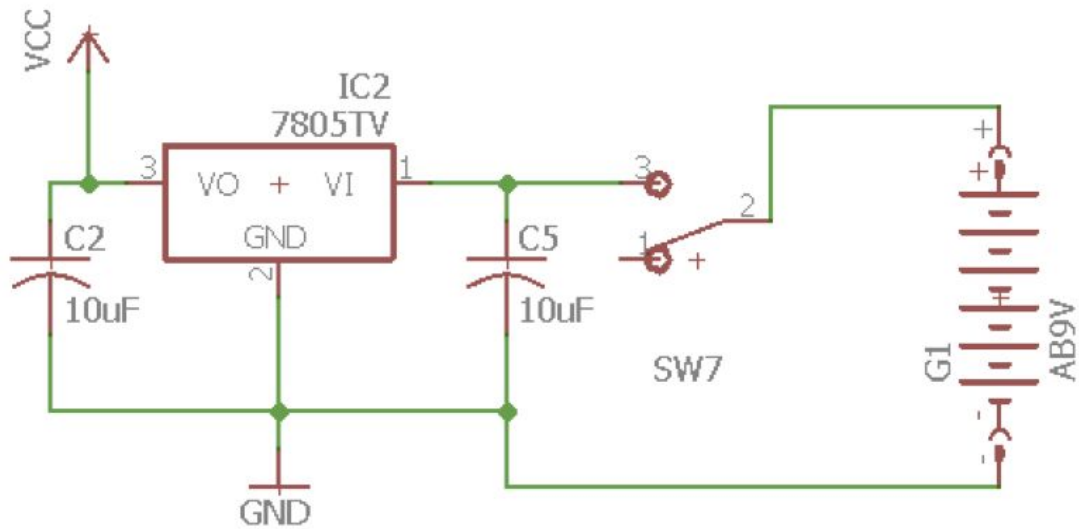
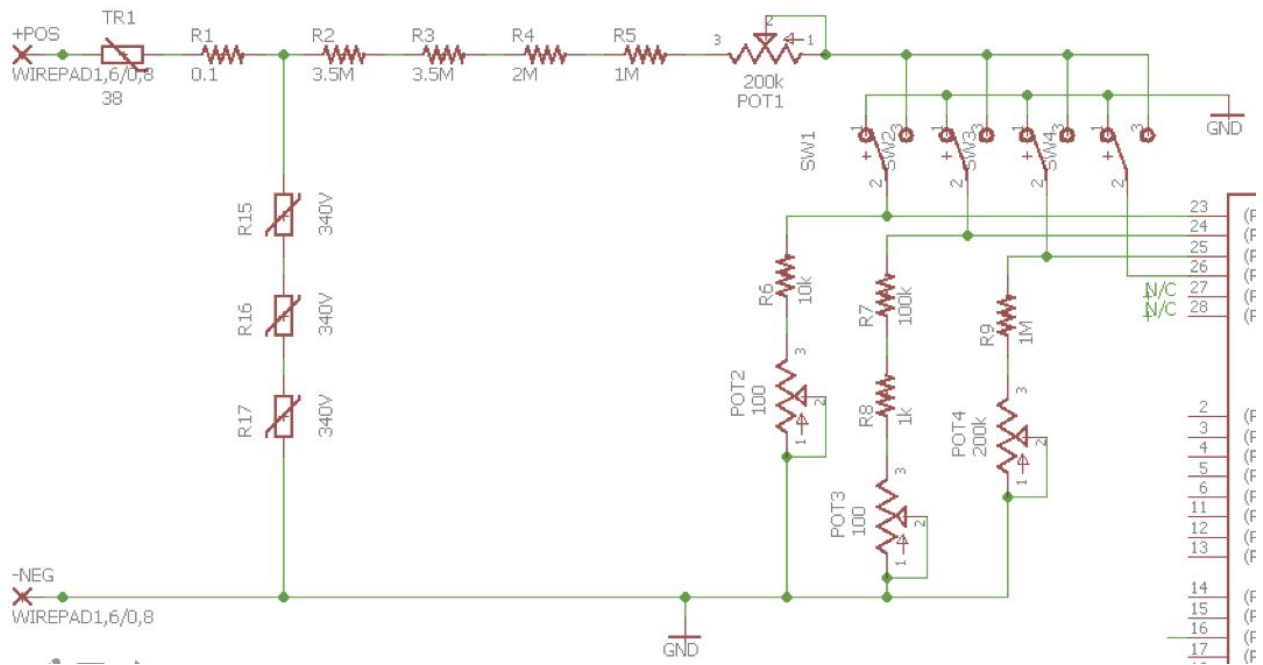


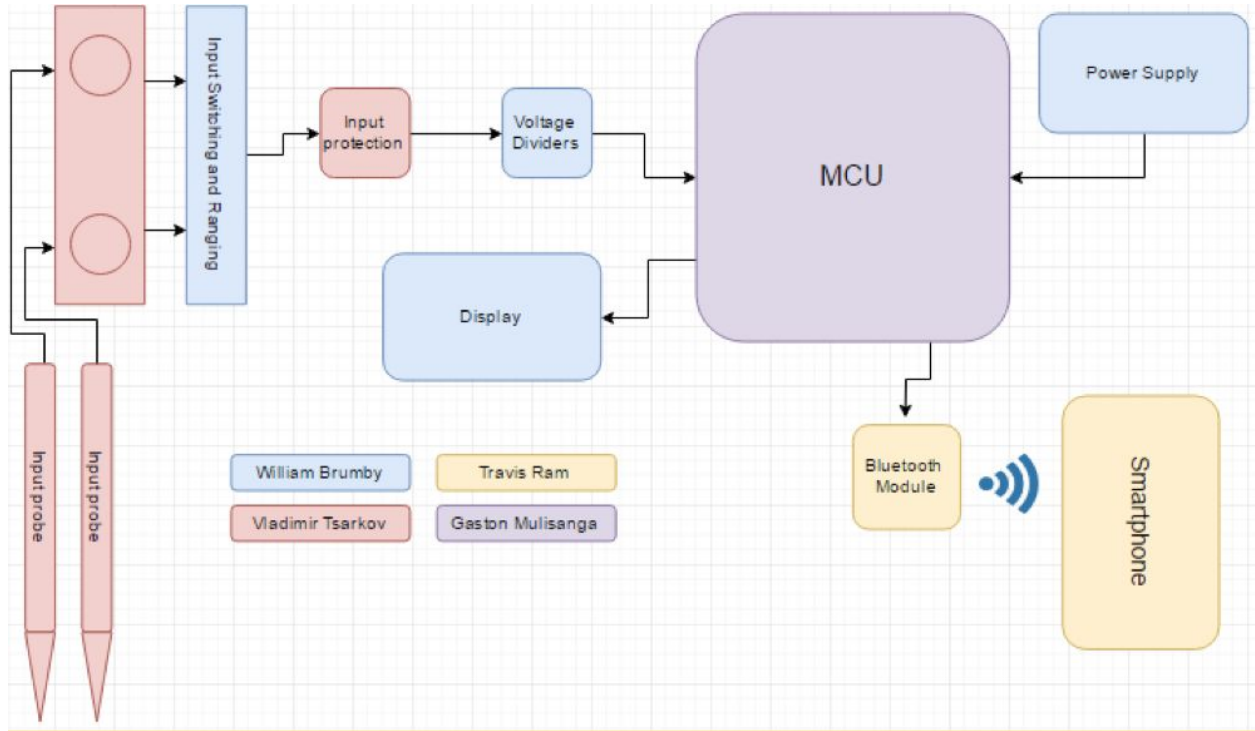
Block Diagram



Power Supply



Input Measurement and Safety Components



Block Diagram